

# PRODUCT INFORMATION PACKET

Model No: 5KCR39SN2504X  
Catalog No: C1091  
1.5 HP Jet Pump Motor, 1 phase, 3600 RPM, 115/230 V, 56J Frame, ODP  
Jet Pump Motors



Regal and Marathon are trademarks of Regal Beloit Corporation or one of its affiliated companies.  
©2020 Regal Beloit Corporation, All Rights Reserved. MC017097E

**REGAL**



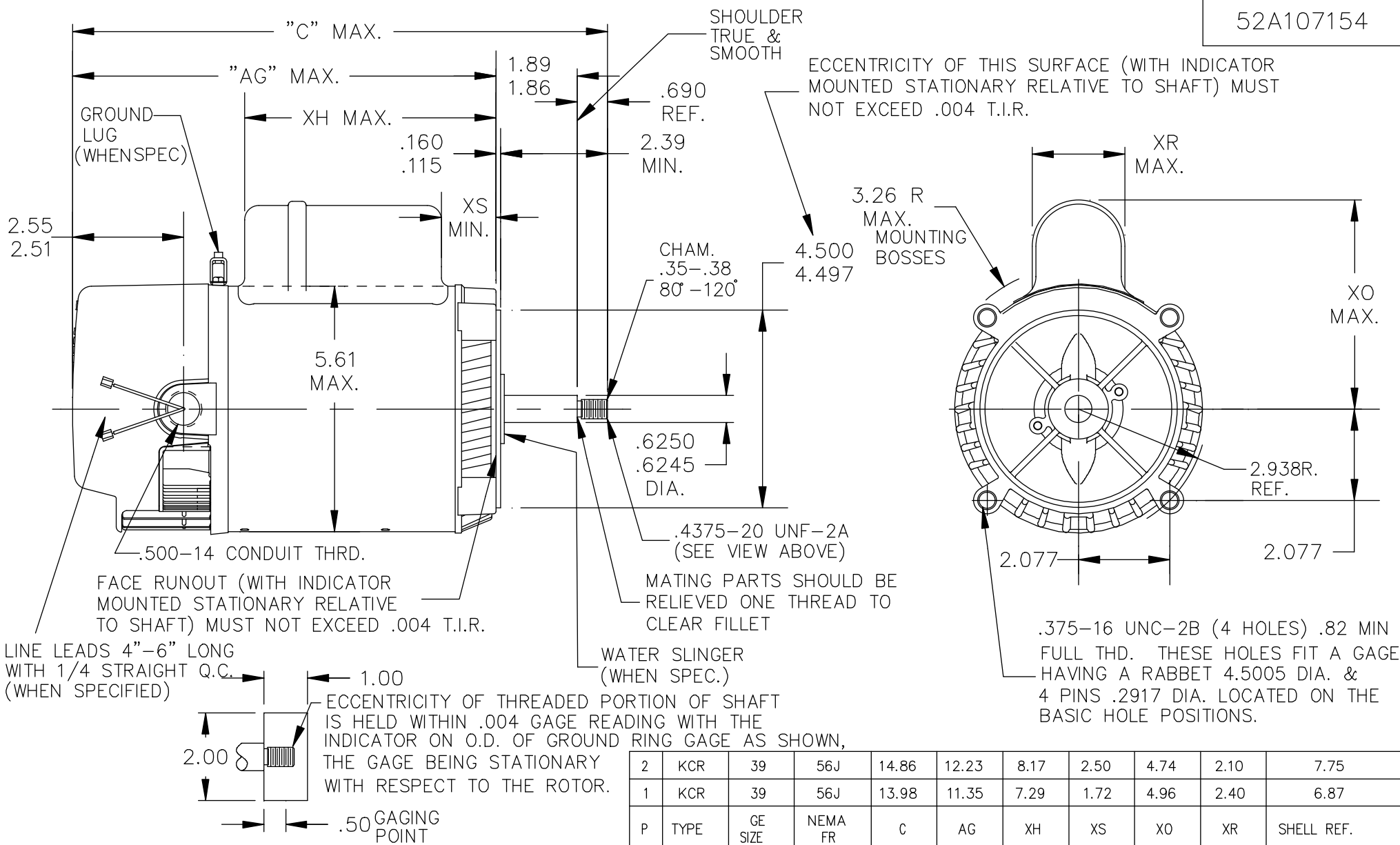
### Nameplate Specifications

Output HP	<b>1.50 Hp</b>	Output KW	<b>1.1 kW</b>
Frequency	<b>60 Hz</b>	Voltage	<b>115/230 V</b>
Current	<b>15.8,7.9 A</b>	Speed	<b>3450 rpm</b>
Service Factor	<b>1.3</b>	Phase	<b>1</b>
Efficiency	<b>76.1 %</b>	Power Factor	<b>0</b>
Duty	<b>Continuous</b>	Insulation Class	<b>B</b>
KVA Code	<b>K</b>	Frame	<b>56J</b>
Enclosure	<b>Drip Proof</b>	Thermal Protection	<b>AUTO</b>
Ambient Temperature	<b>50 °C</b>	Drive End Bearing Size	<b>6204</b>
Opp Drive End Bearing Size	<b>6203</b>	UL	<b>Recognized</b>
CSA	<b>Yes</b>	CE	<b>N</b>

### Technical Specifications

Electrical Type	<b>Capacitor Start Capacitor Run</b>	Starting Method	<b>SM</b>
Poles	<b>2</b>	Rotation	<b>Clockwise</b>
Mounting	<b>Round</b>	Motor Orientation	<b>ANY</b>
Drive End Bearing	<b>LOCKED</b>	Opp Drive End Bearing	<b>Ball</b>
Frame Material	<b>Rolled Steel</b>	Overall Length	<b>13.98 in</b>
Frame Length	<b>6.87 in</b>	Shaft Diameter	<b>0.630 in</b>
Shaft Extension	<b>2.39 in</b>		
Connection Drawing	<b>52A106890</b>	Outline Drawing	<b>52A107154P1</b>

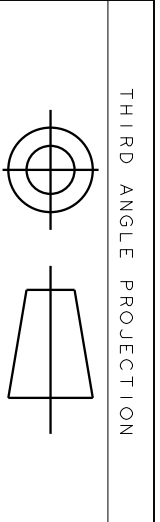
This is an uncontrolled document once printed or downloaded and is subject to change without notice. Date Created:03/11/2020



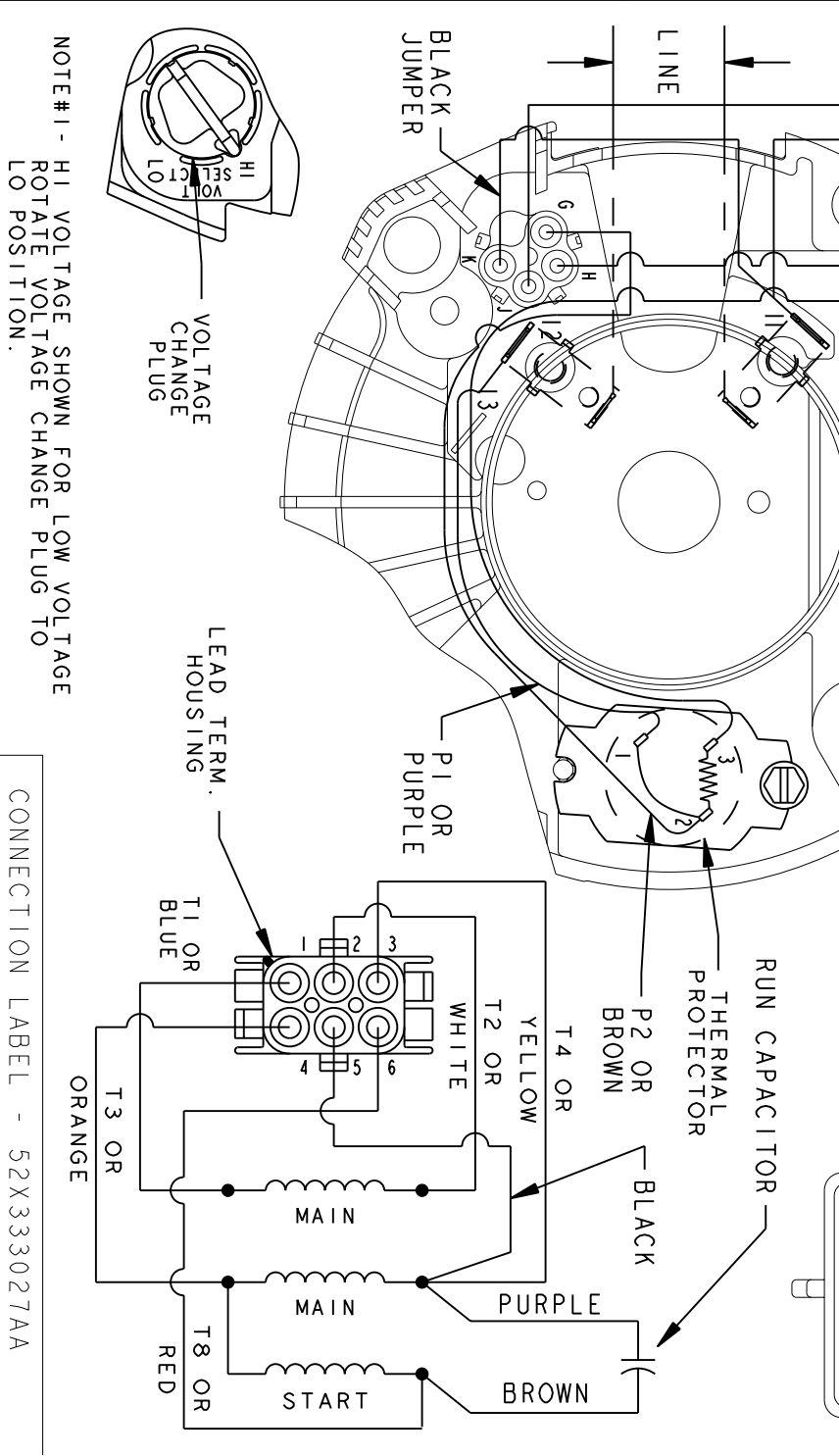
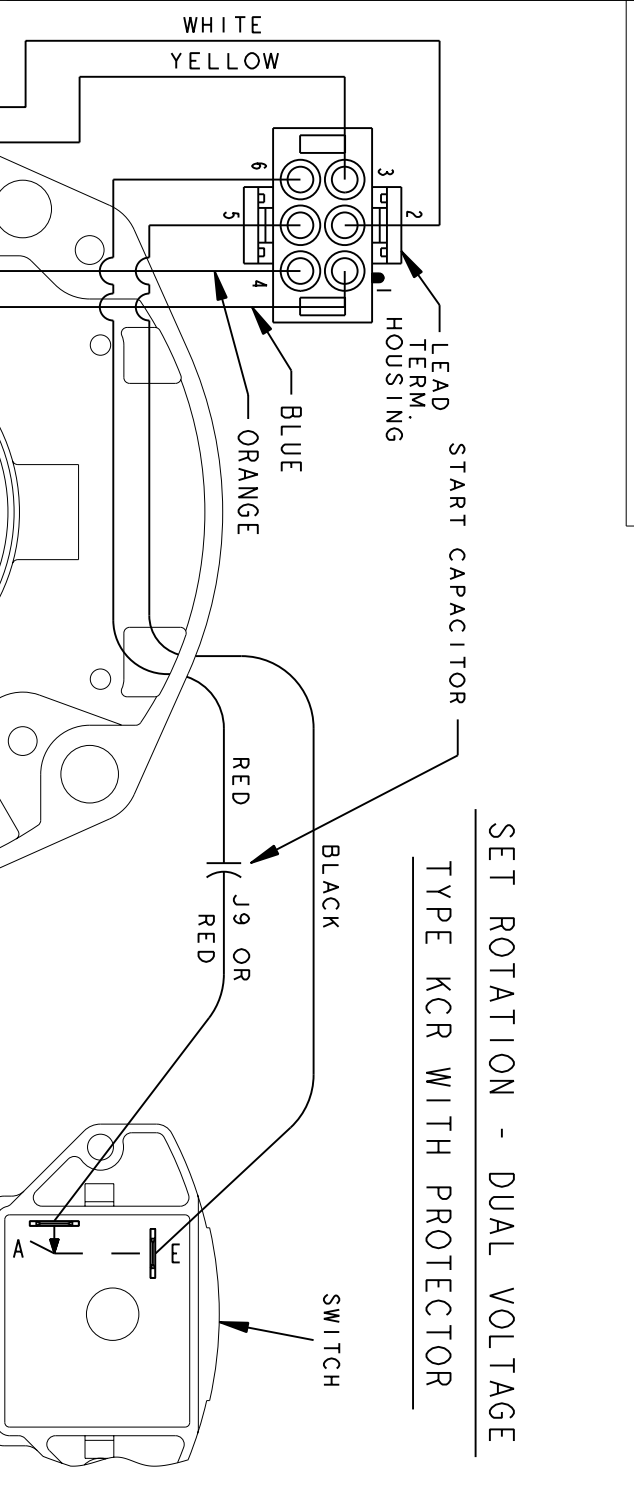
2	KCR	39	56J	14.86	12.23	8.17	2.50	4.74	2.10	7.75
1	KCR	39	56J	13.98	11.35	7.29	1.72	4.96	2.40	6.87
P	TYPE	GE SIZE	NEMA FR	C	AG	XH	XS	XO	XR	SHELL REF.

			TOLERANCES UNLESS SPECIFIED		REGAL-BELOIT CORPORATION		DRAWN BUN 06/11/91				
			DEC.	INCHES	REGAL-BELOIT CORPORATION		CHK				
9	JET/POOL IS REPLACED BY JET PUMP PER ECO-0033464	PVR 05/15/13	DS	.X	±.1	REGAL-BELOIT CORPORATION		APPD CCP 03/08/95			
8	OUTLINE DIMN. CHG AS PER ISO8-0574	BAL 02/26/08		.XX	±.03	TITLE		SCALE 3=8			
7	CHG TO RBC FORMAT PER ISO5-1777	SUD 02/21/06		.XXX	±.005	2 COMPARTMENT UPGRADE - 56J - JET PUMP		REF			
6	REDRAWN BY 2M SOFTWARE CO.	CCP 03/06/95		.XXXX	±.0005	MAT'L.		FMF			
NO.	REVISION	BY & DATE	CHK	ANG	±1/2'	FINISH	PREV				
			RFP			CAD FILE	52A107154	SIZE	DRAWING NO.		REV.
			DIST					A	52A107154		9

THIS DRAWING IN DESIGN AND DETAIL IS OUR PROPERTY AND MUST NOT BE USED EXCEPT IN CONNECTION WITH OUR WORK ALL RIGHTS OF DESIGN AND INVENTION ARE RESERVED THIS IS AN ELECTRONICALLY GENERATED DOCUMENT - DO NOT SCALE THIS PRINT



REV.	DESCRIPTION	DATE	APPROVED
3	UPDATED TO RBC FORMAT	01/11/06	MAM



NOTE#1 - HI VOLTAGE SHOWN FOR LOW VOLTAGE  
 ROTATE VOLTAGE CHANGE PLUG TO LO POSITION.

CONNECTION LABEL - 52X333027AA

SIGNATURES	DATE
MODEL B.L.J.	07/21/92
DETAIL	
CHECKED	
ENGRG	
MFG	
QUALITY	
ISSUED	B.L.J. 07/21/92
MATERIAL	SOLID MODEL: 52A106890

**REGAL-BELOIT CORPORATION**

**REGAL-BELOIT**

**REGAL-BELOIT CORPORATION**

**CONNECTION DIAGRAM**

**FME: 2 COMPARTMENT DUAL VOLT, SET ROTATION**

SIZE: DRAWING A

SCALE: 1.000 REF. No.:

**52A106890**

REV 3